

# Шкафы для хранения литий-ионных аккумуляторов ION-ULTRA-90, ION-PRO-90, ION-CORE-90, ION-CHARGE-90

## Технические характеристики

По вопросам продаж и поддержки обращайтесь:

Алматы (727)345-47-04  
Ангарск (3955)60-70-56  
Архангельск (8182)63-90-72  
Астрахань (8512)99-46-04  
Барнаул (3852)73-04-60  
Белгород (4722)40-23-64  
Благовещенск (4162)22-76-07  
Брянск (4832)59-03-52  
Владивосток (423)249-28-31  
Владикавказ (8672)28-90-48  
Владимир (4922)49-43-18  
Волгоград (844)278-03-48  
Вологда (8172)26-41-59  
Воронеж (473)204-51-73  
Екатеринбург (343)384-55-89

Иваново (4932)77-34-06  
Ижевск (3412)26-03-58  
Иркутск (395)279-98-46  
Казань (843)206-01-48  
Калининград (4012)72-03-81  
Калуга (4842)92-23-67  
Кемерово (3842)65-04-62  
Киров (8332)68-02-04  
Коломна (4966)23-41-49  
Кострома (4942)77-07-48  
Краснодар (861)203-40-90  
Красноярск (391)204-63-61  
Курск (4712)77-13-04  
Курган (3522)50-90-47  
Липецк (4742)52-20-81

Магнитогорск (3519)55-03-13  
Москва (495)268-04-70  
Мурманск (8152)59-64-93  
Набережные Челны (8552)20-53-41  
Нижний Новгород (831)429-08-12  
Новокузнецк (3843)20-46-81  
Ноябрьск (3496)41-32-12  
Новосибирск (383)227-86-73  
Омск (3812)21-46-40  
Орел (4862)44-53-42  
Оренбург (3532)37-68-04  
Пенза (8412)22-31-16  
Петрозаводск (8142)55-98-37  
Псков (8112)59-10-37  
Пермь (342)205-81-47

Ростов-на-Дону (863)308-18-15  
Рязань (4912)46-61-64  
Самара (846)206-03-16  
Санкт-Петербург (812)309-46-40  
Саратов (845)249-38-78  
Севастополь (8692)22-31-93  
Саранск (8342)22-96-24  
Симферополь (3652)67-13-56  
Смоленск (4812)29-41-54  
Сочи (862)225-72-31  
Ставрополь (8652)20-65-13  
Сургут (3462)77-98-35  
Сыктывкар (8212)25-95-17  
Тамбов (4752)50-40-97  
Тверь (4822)63-31-35

Тольятти (8482)63-91-07  
Томск (3822)98-41-53  
Тула (4872)33-79-87  
Тюмень (3452)66-21-18  
Ульяновск (8422)24-23-59  
Улан-Удэ (3012)59-97-51  
Уфа (347)229-48-12  
Хабаровск (4212)92-98-04  
Чебоксары (8352)28-53-07  
Челябинск (351)202-03-61  
Череповец (8202)49-02-64  
Чита (3022)38-34-83  
Якутск (4112)23-90-97  
Ярославль (4852)69-52-93

Россия +7(495)268-04-70

Казахстан +7(727)345-47-04

Беларусь +(375)257-127-884

Узбекистан +998(71)205-18-59

Киргизия +996(312)96-26-47

эл.почта: [auj@nt-rt.ru](mailto:auj@nt-rt.ru) || сайт: <https://asecos.nt-rt.ru/>

# ION-LINE | ION-ULTRA-90

Safe and approved passive and active storage of lithium-ion batteries in working areas  
Premium models for the highest safety requirements – how you can benefit from the advantages of the ION-ULTRA-90:

1

GS-certified fire resistance in accordance with GS test principle EK5/ AK4 22-01. Smoke-tight cabinet construction with pressure relief opening in the head section and self-closing, automatically locking doors.



2

Thanks to an integrated transport base, you can immediately evacuate the cabinet and transport it to a safe location outdoors.



3

An LED indicator and visual/acoustic alarms quickly inform you of fires when they begin, without having to open the doors of the cabinet.



4

Optionally equipped with fire suppression system, which automatically triggers in the event of a fire.



5

Smoke detectors and two temperature sensors detect even incipient fires and can transmit alarms to the building control system quickly.



6

The built-in, temperature-controlled ventilation system prevents heat build-up when charging the batteries.



7

If your work area is not staffed, the standard potential-free switching contacts forward differentiated alarms immediately to a connected control centre. Optional remote signalling module available.



8

Thanks to the adjustable-height shelves with a 75 kg load capacity, you can flexibly adjust the interior of the cabinet.



9

Bottom collecting sump is used to catch any leakage which may occur from burning batteries.





▪ **Fire resistance of 90 minutes** (type 90), type-tested in accordance with EN 14470-1



▪ **Fire resistance of 90 minutes from inside to outside** in accordance with EN 1363-1



▪ **GS-tested** (document EK5/AK4 09-10, ProdSG)



▪ **CE compliant**



▪ Extended **manufacturer warranty of up to 10 years** in combination with an asecos service tariff



ION-LINE



**Model IO90.195.120.065.WDAC**  
Order No. 40559-047-41105

Image shows optional accessories



**Model IO90.195.120.065.WDAC**  
Order No. 40559-047-41112

Image shows optional accessories



**Model IO90.195.120.065.WDAC**  
Order No. 40559-047-40888

Image shows optional accessories




### Technical data

|                                   |    | UK version        | EU version        |
|-----------------------------------|----|-------------------|-------------------|
| External dimensions W x D x H     | mm | 1193 x 650 x 1953 | 1193 x 650 x 1953 |
| Internal dimensions W x D x H     | mm | 1050 x 565 x 1643 | 1050 x 565 x 1643 |
| Weight without interior equipment | kg | 550               | 550               |
| Maximum load                      | kg | 600               | 600               |
| Entry width transport base        | mm | 1120              | 1120              |
| Entry height transport base       | mm | 90                | 90                |

### Total power rating of the power socket strips

|                                    |       | UK version | EU version |
|------------------------------------|-------|------------|------------|
| Fuse (1-phase)                     | A     | 13         | 16         |
| Power max. (1-phase)               | kW    | 2,99       | 3,68       |
| Fuse (3-phase)                     | A     | 3 x 13     | 3 x 16     |
| Power max. (3-phase)               | kW    | 8,97       | 11,04      |
| Number of socket outlets per strip | piece | 8          | 8          |

### Main features

-  Safe storage and charging of batteries
-  Integrated warning system incl. LED display
-  Optional: fire suppression unit



## EASY HANDLING WITH COMFORT

Doors stop for safe and convenient operation and close automatically after 10 seconds.



| Model                 | Body colour              | Door colour                                       | Order No.              |
|-----------------------|--------------------------|---|------------------------|
| IO90.195.120.065.WDAC | anthracite grey RAL 7016 | gentian blue RAL 5010<br>anthracite grey RAL 7016 | 40559-047<br>40559-053 |

| Interior equipment packages (can only be ordered in combination with the cabinet) | Material                  | Order No.             |
|---|---------------------------|-----------------------|
|   |                           | UK version EU version |
| 3x perforated shelf incl. outlet strips, 1x bottom collecting sump (V=2,85L)      | powder-coated sheet steel | 40888 40878           |
| 4x perforated shelf incl. outlet strips, 1x bottom collecting sump (V=2,85L)      | powder-coated sheet steel | 41105 41102           |
| 5x perforated shelf incl. outlet strips, 1x bottom collecting sump (V=2,85L)      | powder-coated sheet steel | 41109 41106           |
| 6x perforated shelf incl. outlet strips, 1x bottom collecting sump (V=2,85L)      | powder-coated sheet steel | 41112 40921           |

| Accessories  | Order No.   |
|--|---|
|  | UK version EU version   |
| Power supply cable 400 V (can only be ordered in combination with the cabinet) | 3-phase, for further properties see technical data table<br>38038 38038 |
| Fire suppression unit with hoop guard  | 40941 40941   |



ION-  
LINE

# ION-LINE | ION-PRO-90

Safe and approved passive and active storage of lithium-ion batteries in working areas  
Cabinet models for expanded safety requirements – how you benefit from the advantages of the ION-LINE PRO:

1

An LED indicator and visual/acoustic alarms quickly inform you of fires when they begin, without having to open the doors of the cabinet.



2

The fire suppression system triggers automatically if there is a fire in the cabinet.



3

Smoke detectors and a temperature sensor detect even incipient fires and can transmit alarms to the building control system quickly.



4

If your work area is not staffed, the standard potential-free switching contact forwards alarms immediately to a connected control centre. With optional relay or remote signalling module.



5

The ventilation attachment prevents heat build-up when charging the batteries.



6

Convenient cabinet entry – open both doors at the same time with just one hand.



7

Your battery charging process is safe – thanks to high-quality protective contact outlets in the fire safe interior of the cabinet.



8

The automatic 2-point locking mechanism permanently and securely closes the cabinet doors.



9

Thanks to an integrated transport base, you can immediately evacuate the cabinet and transport it to a safe location outdoors.





- **Fire resistance of 90 minutes** (type 90), type-tested in accordance with EN 14470-1



- **Fire resistance of 90 minutes from inside to outside** in accordance with EN 1363-1



- **CE compliant**



- Extended **manufacturer warranty of up to 10 years** in combination with an asecos service tariff



ION-  
LINE



**Model IO90.195.120.PC.WDC**  
Order No. 41269-047-41401

**Model IO90.195.120.PC.WDC**  
Order No. 41269-047-41400

| Technical data                                       |       | EU version        | UK version        |
|--|-------|-------------------|-------------------|
| External dimensions W x D x H                        | mm    | 1193 x 615 x 2224 | 1193 x 615 x 2224 |
| Internal dimensions W x D x H                        | mm    | 1050 x 522 x 1647 | 1050 x 522 x 1647 |
| Weight without interior equipment                    | kg    | 424               | 424               |
| Maximum load   | kg    | 600               | 600               |
| Entry width transport base                           | mm    | 1120              | 1120              |
| Entry height transport base                          | mm    | 90                | 90                |
| <b>Total power rating of the power socket strips</b> |       |                   |                   |
| Fuse (1-phase)                                       | A     | 16                | 13                |
| Power max. (1-phase)                                 | kW    | 3,68              | 2,99              |
| Fuse (3-phase)                                       | A     | 3 x 16            | 3 x 13            |
| Power max. (3-phase)                                 | kW    | 11,04             | 8,97              |
| Number of socket outlets per strip                   | piece | 8                 | 8                 |

### Main features

- Safe storage and charging of batteries
- Warning and fire suppression system
- Extraction unit and LED display included

**PRO-Model** incl. **fire suppression unit** and **LED display** for a quick indication of emergencies.



| Model               | Body colour              | Door colour           | Order No. |
|---------------------|--------------------------|-----------------------|-----------|
| IO90.195.120.PC.WDC | anthracite grey RAL 7016 | gentian blue RAL 5010 | 41269-047 |

| Interior equipment packages (can only be ordered in combination with the cabinet) | Material                  | Order No.             |
|---|---------------------------|-----------------------|
|   |                           | EU version UK version |
| 3x perforated shelf incl. outlet strips, 1x bottom collecting sump [V=2.6L]       | powder-coated sheet steel | 41391 41399           |
| 4x perforated shelf incl. outlet strips, 1x bottom collecting sump [V=2.6L]       | powder-coated sheet steel | 41392 41400           |
| 5x perforated shelf incl. outlet strips, 1x bottom collecting sump [V=2.6L]       | powder-coated sheet steel | 41393 41401           |
| 6x perforated shelf incl. outlet strips, 1x bottom collecting sump [V=2.6L]       | powder-coated sheet steel | 41394 41402           |

| Accessories  | Order No.  |             |
|--|--|-------------|
|  | EU version UK version                                    |             |
| Power supply cable 400 V (can only be ordered in combination with the cabinet) | 3-phase, for further properties see technical data table | 38038 38038 |
| Module for remote signalling   | alarm transmission to a mobile of your choice            | 38765 39221 |
| Relay module   | potential-free forwarding of 4 different alarm states    | 38766 38766 |

| Service           | Order No. |
|-------------------|-----------|
| Service (UK only) | SER90018  |



**Model IO90.195.120.PS.WDC**  
Order No. 41429-047-41388

**Model IO90.195.120.PS.WDC**  
Order No. 41429-047-41389

**Technical data**

**IO90.195.120.PS.WDC**

|                                   |    |                   |
|-----------------------------------|----|-------------------|
| External dimensions W x D x H     | mm | 1193 x 615 x 1953 |
| Internal dimensions W x D x H     | mm | 1050 x 522 x 1647 |
| Weight without interior equipment | kg | 424               |
| Maximum load                      | kg | 600               |
| Entry width transport base        | mm | 1120              |
| Entry height transport base       | mm | 90                |

**Main features**

- Store batteries safely
- Warning and fire suppression system
- LED display included

ION-LINE

**EXPERT TIP**

Lithium-ion batteries with **obvious damage** should generally **not be stored inside buildings**:

**Dispose of them promptly in appropriate disposal containers** suitable for transportation, **outside of buildings**.

Improper or irregular inspection of safety-related equipment, not only risks the **loss of insurance cover** but also threatens your **personal liability** - you can be held personally responsible for damage or injury.

**Increase the service life** and improve the operational safety of your ION-LINE cabinets with the **asecos original service**.

**ONE-HAND OPERATION**

Are you looking for a comfortable storage solution for your Lithium-ion Batteries?

Operate **two doors** with **one hand!**

| Model               | Body colour              | Door colour           | Order No. |
|---------------------|--------------------------|-----------------------|-----------|
| IO90.195.120.PS.WDC | anthracite grey RAL 7016 | gentian blue RAL 5010 | 41429-047 |

| Interior equipment packages (can only be ordered in combination with the cabinet) | Material                           | Order No.             |
|---|------------------------------------|-----------------------|
|   |                                    | EU version UK version |
| 3x perforated shelf, 1x bottom collecting sump (V=2.6L)                           | powder-coated sheet steel RAL 7035 | 41386 41386           |
| 4x perforated shelf, 1x bottom collecting sump (V=2.6L)                           | powder-coated sheet steel RAL 7035 | 41387 41387           |
| 5x perforated shelf, 1x bottom collecting sump (V=2.6L)                           | powder-coated sheet steel RAL 7035 | 41388 41388           |
| 6x perforated shelf, 1x bottom collecting sump (V=2.6L)                           | powder-coated sheet steel RAL 7035 | 41389 41389           |

| Accessories                  | Order No.   |
|------------------------------|---|
|                              | EU version UK version                                       |
| Module for remote signalling | alarm transmission to a mobile of your choice 38765 39221   |
| Relay module                 | potential-free forwarding of 4 different alarm states 38766 |

| Service           | Order No. |
|-------------------|-----------|
| Service (UK only) | SER90017  |

# ION-LINE | ION-CORE-90

*Safe and approved passive and active storage of lithium-ion batteries in working areas  
Cabinet models for comprehensive safety requirements – how you can benefit from the advantages of the ION-CORE-90:*

1

Storing lithium-ion batteries safely in cabinets with 90 minutes fire resistance.



2

Convenient cabinet entry – open both doors at the same time with just one hand.



3

Smoke detectors detect even incipient fires and can transmit alarms to the building control system quickly.



4

If your work area is not staffed, the standard potential-free switching contact forwards alarms immediately to a connected control centre. Optional remote signalling module available.



5

Your battery charging process is safe – thanks to high-quality protective contact outlets in the fire safe interior of the cabinet.



6

Thanks to an integrated transport base, you can immediately evacuate the cabinet and transport it to a safe location outdoors.



7

The automatic 2-point locking mechanism permanently and securely closes the cabinet doors.





- **Fire resistance of 90 minutes** (type 90), type-tested in accordance with EN 14470-1



- **Fire resistance of 90 minutes from inside to outside** in accordance with EN 1363-1



- **CE compliant**



- Extended **manufacturer warranty of up to 10 years** in combination with an asecos service tariff





**Model IO90.195.060.CC.WDC**  
Order No. 41302-047-41370



**Model IO90.195.060.CC.WDC**  
Order No. 41302-047-41375

### Technical data




|                                   |    | IO90.195.060.CC.WDC |
|-----------------------------------|----|---------------------|
| External dimensions W x D x H     | mm | 599 x 615 x 1953    |
| Internal dimensions W x D x H     | mm | 450 x 522 x 1647    |
| Weight without interior equipment | kg | 265                 |
| Maximum load                      | kg | 600                 |
| Entry width transport base        | mm | 526                 |
| Entry height transport base       | mm | 90                  |

### Total power rating of the power socket strips

|                                    |       |        |
|------------------------------------|-------|--------|
| Fuse (1-phase)                     | A     | 13     |
| Power max. (1-phase)               | kW    | 2,99   |
| Fuse (2-phase)                     | A     | 2 x 13 |
| Power max. (2-phase)               | kW    | 5,98   |
| Number of socket outlets per strip | piece | 8 *    |

\* EU 41366/UK 41370: A minimum of 3 power sockets available per shelf.  
EU 41373/UK 41375: Each locker has access to a minimum of 1 power socket.

### Main features

-  Safe storage and charging of batteries
-  Integrated smoke detector for fire detection
-  Accessible transport base

## EXPERT TIP

Lithium-ion batteries with **obvious damage** should generally **not be stored inside buildings**.  
**Dispose of them promptly in appropriate disposal containers** suitable for transportation, **outside of buildings**.



| Model   | Body colour              | Door colour           | Order No.                                   |
|---|--------------------------|-----------------------|---|
| IO90.195.060.CC.WDC   | anthracite grey RAL 7016 | gentian blue RAL 5010 | 41302-047                                   |
| Interior equipment packages (can only be ordered in combination with the cabinet) Material    |                          |                       | Order No.                                   |
| 7x metal locker with perforated shelf incl. outlet strips, 1x bottom collecting sump (V=1.0L) |                          |                       | <b>EU version UK version</b><br>41373 41375 |
| 4x perforated shelf incl. outlet strips, 1x bottom collecting sump (V=1.0L)                   |                          |                       | 41366 41370                                 |
| Accessories   |                          |                       | Order No.                                   |
| Power supply cable 400 V (can only be ordered in combination with the cabinet)                |                          |                       | <b>EU version UK version</b><br>38038 38038 |
| Module for remote signalling  |                          |                       | 38765 39221                                 |
| Service   |                          |                       | Order No.                                   |
| Service (UK only)   |                          |                       | SER90019                                    |



**Model IO90.195.120.CS.WDC**  
Order No. 41426-047-41387



**Model IO90.195.120.CS.WDC**  
Order No. 41426-047-41389






**Model IO90.195.060.CS.WDC**  
Order No. 41419-047-41363

#### Technical data

|                                |    | IO90.195.120.CS.WDC | IO90.195.060.CS.WDC |
|--------------------------------|----|---------------------|---------------------|
| External dimensions W x D x H  | mm | 1193 x 615 x 1953   | 599 x 615 x 1953    |
| Internal dimensions W x D x H  | mm | 1050 x 522 x 1647   | 450 x 522 x 1647    |
| Weight without interior equip. | kg | 424                 | 265                 |
| Maximum load                   | kg | 600                 | 600                 |
| Entry width transport base     | mm | 1120                | 526                 |
| Entry height transport base    | mm | 90                  | 90                  |

#### Main features

-  Store batteries safely
-  Integrated smoke detector for fire detection
-  Accessible transport base

| Model               | Body colour              | Door colour           | Order No. |
|---------------------|--------------------------|-----------------------|-----------|
| IO90.195.120.CS.WDC | anthracite grey RAL 7016 | gentian blue RAL 5010 | 41426-047 |
| IO90.195.060.CS.WDC | anthracite grey RAL 7016 | gentian blue RAL 5010 | 41419-047 |

| Interior equipment packages (can only be ordered in combination with the cabinet) | Material                           | Order No.                         |
|---|------------------------------------|-----------------------------------|
| <b>IO90.195.120.CS.WDC</b>  |                                    |                                   |
| 3x perforated shelf, 1x bottom collecting sump (V=2.6L)                           | powder-coated sheet steel RAL 7035 | EU version 41386 UK version 41386 |
| 4x perforated shelf, 1x bottom collecting sump (V=2.6L)                           | powder-coated sheet steel RAL 7035 | 41387 41387                       |
| 5x perforated shelf, 1x bottom collecting sump (V=2.6L)                           | powder-coated sheet steel RAL 7035 | 41388 41388                       |
| 6x perforated shelf, 1x bottom collecting sump (V=2.6L)                           | powder-coated sheet steel RAL 7035 | 41389 41389                       |
| <b>IO90.195.060.CS.WDC</b>  |                                    |                                   |
| 3x perforated shelf, 1x bottom collecting sump (V=1.0L)                           | powder-coated sheet steel RAL 7035 | EU version 41362 UK version 41362 |
| 4x perforated shelf, 1x bottom collecting sump (V=1.0L)                           | powder-coated sheet steel RAL 7035 | 41363 41363                       |
| 5x perforated shelf, 1x bottom collecting sump (V=1.0L)                           | powder-coated sheet steel RAL 7035 | 41364 41364                       |
| 6x perforated shelf, 1x bottom collecting sump (V=1.0L)                           | powder-coated sheet steel RAL 7035 | 41365 41365                       |

| Accessories                  | For cabinet width                             | Order No.                         |
|------------------------------|---|-----------------------------------|
| Perforated shelf             | 1200  | EU version 41293 UK version 41293 |
| Perforated shelf             | 600   | 41313                             |
| Module for remote signalling | alarm transmission to a mobile of your choice | 38765 39221                       |

| Service           | Order No. |
|-------------------|-----------|
| Service (UK only) | SER90016  |

# ION-LINE | ION-CHARGE-90

*Safe and approved passive and active storage of lithium-ion batteries in working areas  
Cabinet models for customer-specific safety requirements – how you can benefit from  
the advantages of the ION-CHARGE-90:*

1

Your battery charging process is safe – thanks to high-quality protective contact outlets in the fire safe interior of the cabinet.



2

Smoke detectors detect even incipient fires and can transmit alarms to the building control system quickly.



3

If your work area is not staffed, the standard potential-free switching contact forwards alarms immediately to a connected control centre. Optional remote signalling module available.



4

The under bench cabinet can be flexibly integrated under worktops due to a height of 78 cm.



5

Fire-safe locked compartments reduce the spread of fires inside the cabinet. You can remove the locked compartments individually in case of a fire.



6

Protect yourself from unauthorised access and theft with the lockable drawer.



7

The temperature sensor detects fires in each locked compartment. This allows alarms to be indicated and forwarded immediately via LED and acoustic/visual alarms.



8

The integrated transport base and optional rollers allow for easy transport and immediate evacuation to a safe location outdoors in case of damage.





- **Fire resistance of 90 minutes** (type 90), type-tested in accordance with EN 14470-1



- **Fire resistance of 90 minutes from inside to outside** in accordance with EN 1363-1



- **CE compliant**



- **Excellent products with special manufacturer warranty**
- Extended **manufacturer warranty of up to 10 years** in combination with an asecos service tariff



# ION-LINE | ION-CHARGE-90



**Model IO90.078.059.057.U9.S**  
Order No. 39354-247-39489






**Model IO90.078.059.057.U9.S**  
Order No. 39354-247-39489

Picture shows castors optional

| Technical data                                       |       | EU version      | UK version      |
|--|-------|-----------------|-----------------|
| External dimensions W x D x H                        | mm    | 593 x 574 x 780 | 593 x 574 x 780 |
| Internal dimensions W x D x H                        | mm    | 470 x 452 x 582 | 470 x 452 x 582 |
| Weight without interior equip.                       | kg    | 130             | 130             |
| Maximum load   | kg    | 300             | 300             |
| Entry width transport base                           | mm    | 548             | 548             |
| Entry height transport base                          | mm    | 95              | 95              |
| <b>Total power rating of the power socket strips</b> |       |                 |                 |
| Fuse   | A     | 16              | 13              |
| Power max.   | kW    | 3,68            | 2,99            |
| Number of socket outlets per strip                   | piece | 4 *             | 4 *             |

\* 4 power sockets available per drawer.

## Main features

-  Safe storage and charging of batteries
-  Perfect for installation under work surfaces
-  Optionally available with castor set for the transport base



## MOBILE

Optionally available castors with integrated locking mechanism, easy moving of the cabinet

| Model   | Body colour              | Door colour                                     | Order No.                                   |
|---|--------------------------|---|---|
| IO90.078.059.057U9.S  | anthracite grey RAL 7016 | gentian blue RAL 5010                           | 39354-247                                   |
| Interior equipment packages (can only be ordered in combination with the cabinet)                                       |                          |   | Order No.                                   |
| 1x drawer (load capacity = 50 kg) incl. socket strip, 1x second level drawer (load capacity = 25 kg) incl. socket strip |                          | powder-coated sheet steel                       | <b>EU version UK version</b><br>39368 39489 |
| Accessories   |                          |   | Order No.                                   |
| Castor set for plinth   |                          | can only be ordered in combination with cabinet | <b>EU version UK version</b><br>39374 39374 |
| Module for remote signalling  |                          | alarm transmission to a mobile of your choice   | 38765 39221                                 |
| Service   |                          |   | Order No.                                   |
| Service (UK only)   |                          |   | SER90019                                    |






**Model IO90.195.060.L8.WDC**

Order No. 39409-047

| Technical data                                       |       | EU version       | UK version       |
|--|-------|------------------|------------------|
| External dimensions W x D x H                        | mm    | 599 x 615 x 1953 | 599 x 615 x 1953 |
| Internal dimensions W x D x H                        | mm    | 450 x 522 x 1647 | 450 x 522 x 1647 |
| Weight without interior equip.                       | kg    | 265              | 265              |
| Maximum load   | kg    | 600              | 600              |
| Entry width transport base                           | mm    | 526              | 526              |
| Entry height transport base                          | mm    | 90               | 90               |
| <b>Total power rating of the power socket strips</b> |       |                  |                  |
| Fuse   | A     | 16               | 13               |
| Power max.   | kW    | 3,68             | 2,99             |
| Number of socket outlets per strip                   | piece | 2 *              | 2 *              |

\* Each locker has access to a minimum of 2 power sockets.

**Main features**

-  Safe storage and charging of batteries
-  Fire-protected lockers
-  Temperature sensor for fire detection

ION-LINE

**FIRE RESISTANT LOCKERS**

prevent the spread of fire throughout the entire interior of the cabinet by removing them individually and protect stored batteries from flame spread.

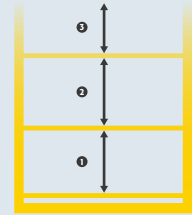


| Model   | Body colour              | Door colour           | Order No.   |
|---|--------------------------|-----------------------|---|
| IO90.195.060.L8.WDC   | anthracite grey RAL 7016 | gentian blue RAL 5010 | 39409-047   |
| Interior equipment packages (can only be ordered in combination with the cabinet) Material        |                          |                       | Order No.   |
| 5x fire-protected lockers incl. outlet strips, 1x bottom collecting sump (V=2.0L), 1x, 1x, 6x, 6x |                          |                       | EU version UK version<br>39413 41119  |
| Accessories   |                          |                       | Order No.   |
| Module for remote signalling  |                          |                       | EU version UK version<br>alarm transmission to a mobile of your choice<br>38765 39221 |
| Service   |                          |                       | Order No.   |
| Service (UK only)   |                          |                       | SER90018  |

# Storage heights

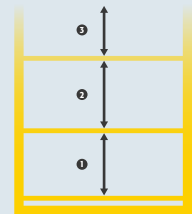
## IO90.195.120.065.WDAC

| Shelves/number  | 6   | 5   | 4   | 3   |
|-----------------|-----|-----|-----|-----|
| Distance ⑥ (mm) | 250 |     |     |     |
| Distance ⑤ (mm) | 245 | 300 |     |     |
| Distance ④ (mm) | 245 | 295 | 380 |     |
| Distance ③ (mm) | 245 | 295 | 375 | 515 |
| Distance ② (mm) | 245 | 295 | 375 | 510 |
| Distance ① (mm) | 245 | 295 | 375 | 510 |



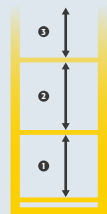
## IO90.195.120.XX.WDC

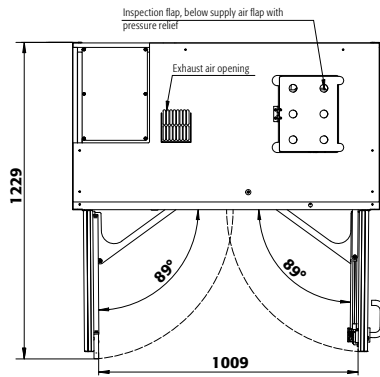
| Shelves/number  | 6   | 5   | 4   | 3   |
|-----------------|-----|-----|-----|-----|
| Distance ⑥ (mm) | 240 |     |     |     |
| Distance ⑤ (mm) | 235 | 305 |     |     |
| Distance ④ (mm) | 235 | 300 | 435 |     |
| Distance ③ (mm) | 235 | 300 | 360 | 500 |
| Distance ② (mm) | 235 | 300 | 360 | 520 |
| Distance ① (mm) | 235 | 300 | 360 | 520 |



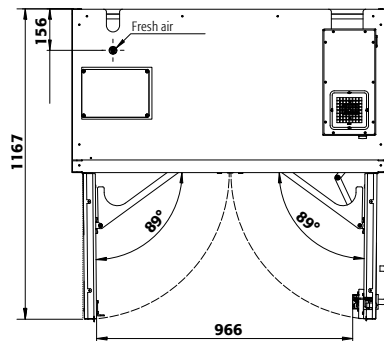
## IO90.195.60.XX.WDC

| Shelves/number  | 6   | 5   | 4   | 3   |
|-----------------|-----|-----|-----|-----|
| Distance ⑥ (mm) | 240 |     |     |     |
| Distance ⑤ (mm) | 235 | 305 |     |     |
| Distance ④ (mm) | 235 | 300 | 435 |     |
| Distance ③ (mm) | 235 | 300 | 360 | 500 |
| Distance ② (mm) | 235 | 300 | 360 | 520 |
| Distance ① (mm) | 235 | 300 | 360 | 520 |

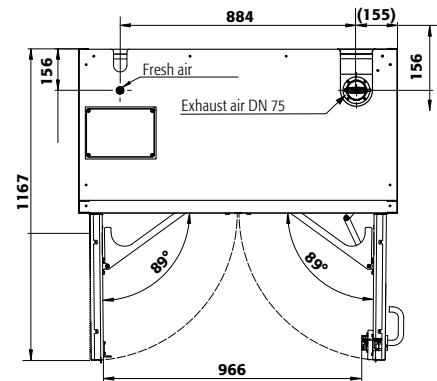




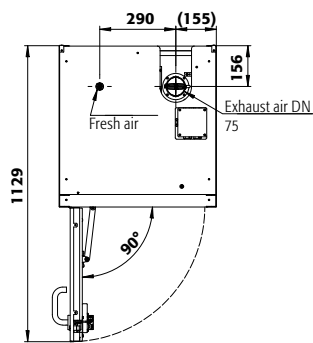
**IO90.195.120.065.WDAC**



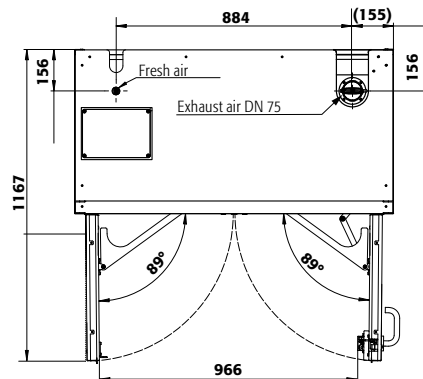
**IO90.195.120.PC.WDC**



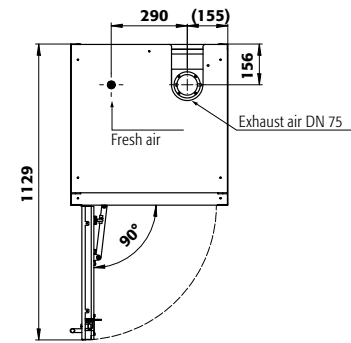
**IO90.195.120.PS.WDC**



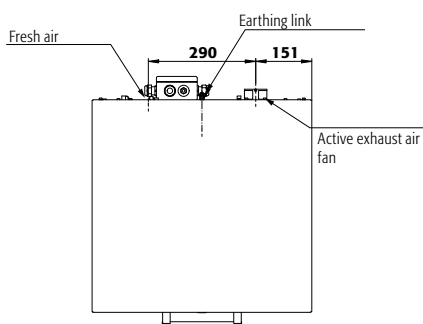
**IO90.195.060.CC.WDC**  
**IO90.195.060.CS.WDC**



**IO90.195.120.CS.WDC**



**IO90.195.060.L8.WDC**



**IO90.078.059.057.U9.S**

## По вопросам продаж и поддержки обращайтесь:

Алматы (727)345-47-04  
Ангарск (3955)60-70-56  
Архангельск (8182)63-90-72  
Астрахань (8512)99-46-04  
Барнаул (3852)73-04-60  
Белгород (4722)40-23-64  
Брянск (4832)59-03-52  
Владивосток (423)249-28-31  
Владикавказ (8672)28-90-48  
Владимир (4922)49-43-18  
Волгоград (844)278-03-48  
Вологда (8172)26-41-59  
Воронеж (473)204-51-73  
Екатеринбург (343)384-55-89

Иваново (4932)77-34-06  
Ижевск (3412)26-03-58  
Иркутск (395)279-98-46  
Казань (843)206-01-48  
Калининград (4012)72-03-81  
Калуга (4842)92-23-67  
Кемерово (3842)65-04-62  
Киров (8332)68-02-04  
Коломна (4966)23-41-49  
Кострома (4942)77-07-48  
Краснодар (861)203-40-90  
Красноярск (391)204-63-61  
Курск (4712)77-13-04  
Курган (3522)50-90-47  
Липецк (4742)52-20-81

Магнитогорск (3519)55-03-13  
Москва (495)268-04-70  
Мурманск (8152)59-64-93  
Набережные Челны (8552)20-53-41  
Нижний Новгород (831)429-08-12  
Новокузнецк (3843)20-46-81  
Ноябрьск (3496)41-32-12  
Новосибирск (383)227-86-73  
Омск (3812)21-46-40  
Орел (4862)44-53-42  
Оренбург (3532)37-68-04  
Пенза (8412)22-31-16  
Петрозаводск (8142)55-98-37  
Псков (8112)59-10-37  
Пермь (342)205-81-47

Ростов-на-Дону (863)308-18-15  
Рязань (4912)46-61-64  
Самара (846)206-03-16  
Санкт-Петербург (812)309-46-40  
Саратов (845)249-38-78  
Севастополь (8692)22-31-93  
Саранск (8342)22-96-24  
Симферополь (3652)67-13-56  
Смоленск (4812)29-41-54  
Сочи (862)225-72-31  
Ставрополь (8652)20-65-13  
Сургут (3462)77-98-35  
Сыктывкар (8212)25-95-17  
Тамбов (4752)50-40-97  
Тверь (4822)63-31-35

Тольятти (8482)63-91-07  
Томск (3822)98-41-53  
Тула (4872)33-79-87  
Тюмень (3452)66-21-18  
Ульяновск (8422)24-23-59  
Улан-Удэ (3012)59-97-51  
Уфа (347)229-48-12  
Хабаровск (4212)92-98-04  
Чебоксары (8352)28-53-07  
Челябинск (351)202-03-61  
Череповец (8202)49-02-64  
Чита (3022)38-34-83  
Якутск (4112)23-90-97  
Ярославль (4852)69-52-93

Россия +7(495)268-04-70

Казахстан +7(727)345-47-04

Беларусь +(375)257-127-884

Узбекистан +998(71)205-18-59

Киргизия +996(312)96-26-47

эл.почта: [auj@nt-rt.ru](mailto:auj@nt-rt.ru) || сайт: <https://asecos.nt-rt.ru/>